

LNC

Leading Numerical Controller in the World

Milling Controller

The Best CNC Solutions!



New CPU
Faster Speed
Fanless design

LNC- Milling SERIES

The Revolutionary CNC Controller

The brand new LNC Milling controller is perfect for Milling application. Now rocking an unique stylish operation panel, an outstanding 3D appearance, data storage before power lose, and a larger screen in 8 inch LCD monitor for your viewing pleasure. High speed/precision is its unique selling proposition.

LNC

www.LNC.com.tw

Controller Type

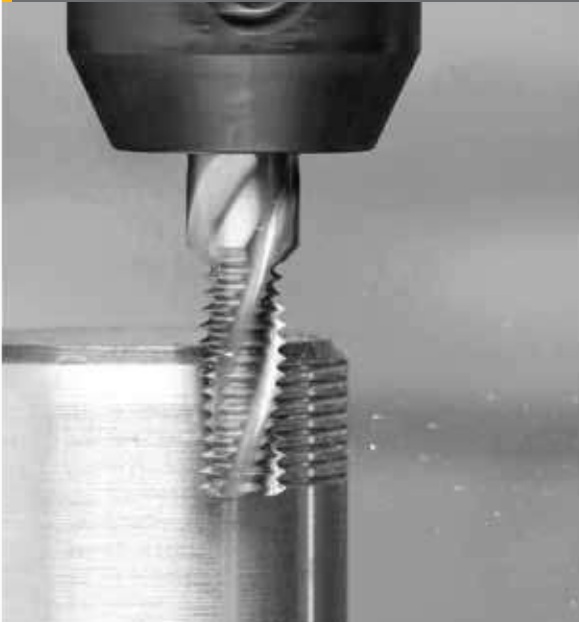
8.4" All in One



10.4" Large Screen



Software Features



VHSP
Precision control

- MPG Dry run
- 600 records global variables
- Add 300 working coordinates
- AIC intelligent cutting control
- Temperature compensation
- DXF file import
- Program 8000 line preview

Equipped with intelligent cutting functions, users can optimize relating process parameters according to different materials, such as steel, aluminum, wood or copper. (acceleration and deceleration time, corner speed, servo gain, etc.)

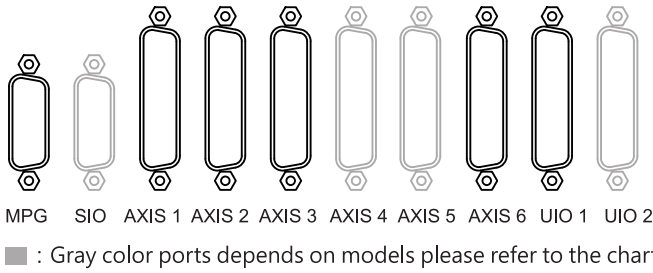
IMS Clouds Server System (Optional)



- Remotly reading and modify the machine parameter
- Transferring the program by internet
- Live monitoring the machine status
- Working orders organising
- Production plant managing

End user can use PC to monitor multiple NC' s situation. When alarm happens, PC side will send message to manage personnel to notify them. Machine makers can use Recon maintenance software to know remote machines' problems.

Hardware Specifications



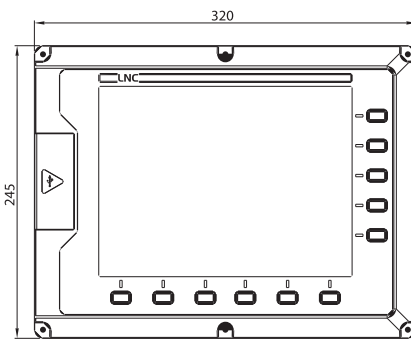
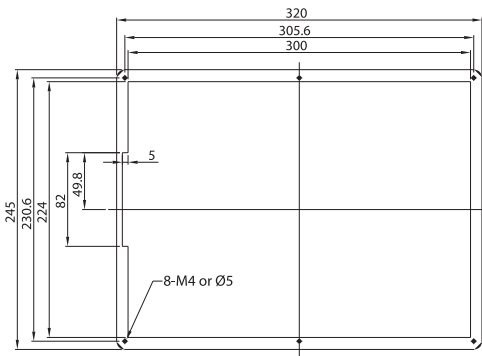
- New CPU
- Faster speed
- Fanless design

	M528A	M568A	M628A	M668A
Servo axes	3+1	5+1	3+1	5+1
Screen size	8.4"	8.4"	10.4"	10.4"
USB	●	●	●	●
SIO (Serial I/O, Max 120in/ 96 out)	—	●	—	●
UIO 1 (20in/ 16out)	●	●	●	●
UIO 2 (20in/ 16out)	— / ●	●	— / ●	●
Axis Command type	Pulse	Pulse	Pulse	Pulse
Spindle Command type	Pulse/ DA	Pulse/ DA	Pulse/ DA	Pulse/ DA

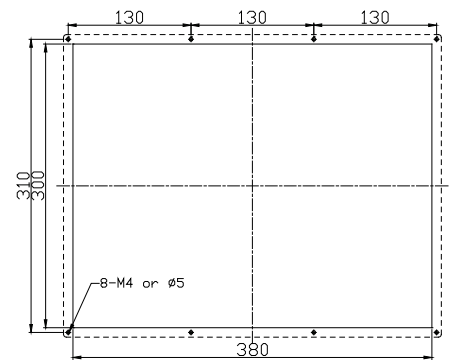
— / ● : Optional

Chassis and Dimensions

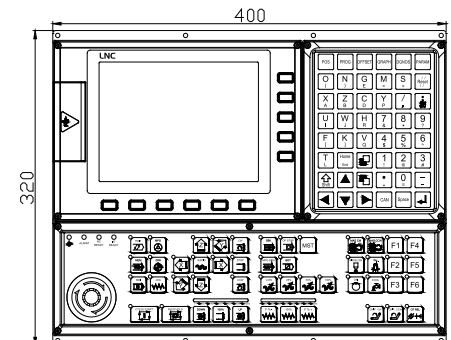
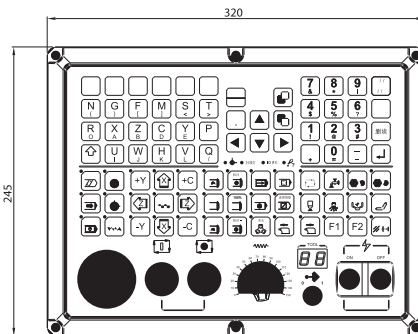
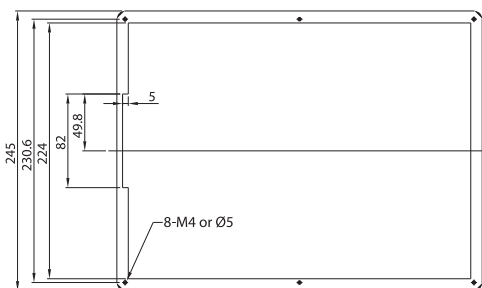
M628A/ M668A LCD



M528A/M568A



M628A/ M668A MDIOP





寶元數控精密股份有限公司
LNC TECHNOLOGY CO., LTD

Head Office-Taichung

19F, No. 78-2, Sec. 3, Taichung Kang Rd., Situn District, Taichung City,
40764 Taiwan
TEL : +886-4-24636889 FAX : +886-4-24635558

Changhua Testing Center

No.6, Fu Kuan Rd., Fu Hsin Hsian, Chang Hwa, Taiwan
TEL : +886-4-7695300 FAX : +886-4-7687199

Dongguan Pou Yuen Digital Control Technologic Co., Ltd.

San Hen Rd., Gao Bu Town, Dong Guan City, Guang Dong,China
PO: 523270
TEL : +86-769-88786162 ; +86-769-88786163
FAX : +86-769-88781100

Tengzhou Office

Room 501, Unit 1, Building #2, Win Ten Plaza, Tengzhou, Shandong,
China PO:277500
TEL : +86-150-69133273 ; +86-151-69169198

Kunshan Office

Room 1201, Building #6, Huamin Gentlefolk Garden, No.13, Cian Jin
Central Rd., Kunshan City, Jiangsu Province, China PO:215300
TEL : +86-512-57117701 FAX : +86-512-5711770

Ningbo Office

Room 702, No.17 Pan-Aisa Center, No.636, Road Duan Tang East,
Haishu District, Ningbo, China PO:315000
TEL : +86-574-871-22335 ; +86-574-87122393
FAX : +86-574-87122923

Taizhou Yuhuan Office

Yuhuan County, Taizhou Blue Sky Garden, Building 1, Room 406 (PC: 317600)
Tel: +86-13586559409

Zhongshan Office

Room 303, Yong Ju Building #1, Jin Ju Garden, Xiaolan, Zhongshan,
Guangdong, China PO:528415
TEL : +86-138-29291586

Changzhou Office

Room 302, Unit B, Building #1, Chung Yi Bao Di Garden, Changzhou,
Jiangsu, China PO:226000

**You can
be assured
that we will
be there
for you**

Offering high quality products and service are our promise to each customer. For this reason, LNC provides comprehensive consultation and immediate customer service at all stage of the process, from pre-sales assistance to after sales service. Our goal is satisfaction of each customer. Continually growth and clients' trust is our main target. Long-term relationship is the reason that motivates us.

Nowadays, LNC Technology Corporation has more than 3000 customers around the world with continually orders. For better customer service, LNC sets up a strong overseas service team. Moreover, our controllers all received the CE certifications. LNC Co. is well prepared for the World-wide market. With strong overseas service team, LNC provides comprehensive consultation and immediate customer service, from pre-sales assistance to after sales service. Furthermore, LNC Co. satisfies every customer's demands and get forward to the world class numerical controller brand.

Authorized Resellers

Service line :
+886-800-561888(International)
0800-561888(Taiwan)
800-900-9919(China)
service@LNC.com.tw



LNC
www.LNC.com.tw